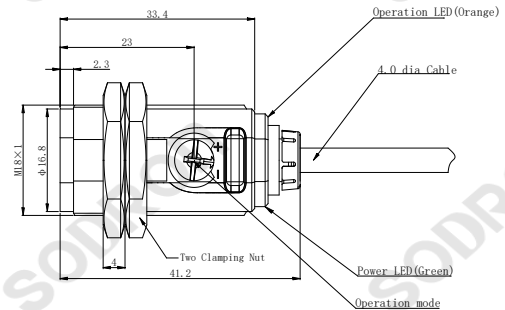
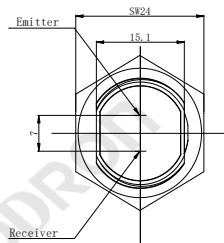




Dimension



Model	Technical parameters		
	Sensing method	Diffuse reflection	
PM18V-D50BNOR	Model	NPN	PM18V-D50BNOR
PM18V-D50BNCR		PNP	PM18V-D50BNCR
PM18V-D50BPOR			PM18V-D50BPOR
PM18V-D50BPCR			PM18V-D50BPCR
	Sensing distance	50cm (Adjustable)	
Product Features	Standard target	White paper, 90% reflectance (200 mm × 200 mm)	
•Diffuse reflection	Output mode	Light-ON	Light-ON/Dark-ON
•Adjustable sensing distance	Light source	630nm Red LED	
•IEC IP65	Supply power	DC 12 ~ 24V ±10% , impulse (P-P) < 10%	
	Residual voltage	< 2V (Load Current: ≤100mA)	
	Current consumption	< 20mA	
Connection	Load current	≤100mA	
NPN	Circuit protection	Power reverse direction connection protection	
	Response time	< 1ms	
	Indicator light	Output LED: Orange LED, Power/stable: Green LED	
	Connection	Cable 2m (PVC)	
	Ambient temperature	Work: -25 ~ +55°C; Store: -40 ~ +70°C (No dew condensation or icing allowed)	
	Ambient humidity	Work: 35 ~ 85%RH, Store: 35 ~ 95%RH, (No dew condensation)	
	Ambient illumination	Sunlight : < 10,000Lx, lamplight: < 3,000Lx	
PNP	Withstand voltage	1000 VAC, 50/60 Hz, 1 min.	
	Insulation resistance	> 20MΩ (DC500V megger) between current-carrying parts and case	
	Anti-vibration	10~55Hz double-amplitude 1.5mmX,Y,Z 2h	
	Anti-impact	500m/s² X, Y,Z , directions for 3 times	
	Protection degree	IEC IP65	
	Housing	PBT+ABS	
	Material Lens Mount	ABS	
	Material Lens	PMMA	